



solo per professionisti

Sirman Spa  
 Viale dell'Industria 9/11  
 35010 PIEVE DI CURTAROLO (PD), Italy  
 Tel./Fax. +39 049 9698666 / +39 049 9698688  
 email: info@sirman.com



Sirman Vegetable-cutter , model TM TG :

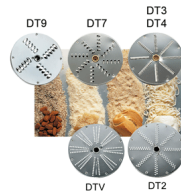
TM-TG is a new version of the well-known TM that thanks to a new larger feed hopper maximizes the motor power and strong structure.  
 Same operational and electrical features of the TM  
 TM discs compatible, except PS discs  
 Aluminum-Stainless steel top with 360° loading feature  
 Microswitch on lever  
 Exclusive hopper design with no central chopping wedge  
**VERY EASY PRODUCT LOADING**



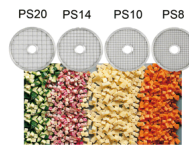
DF5



DQ



DT

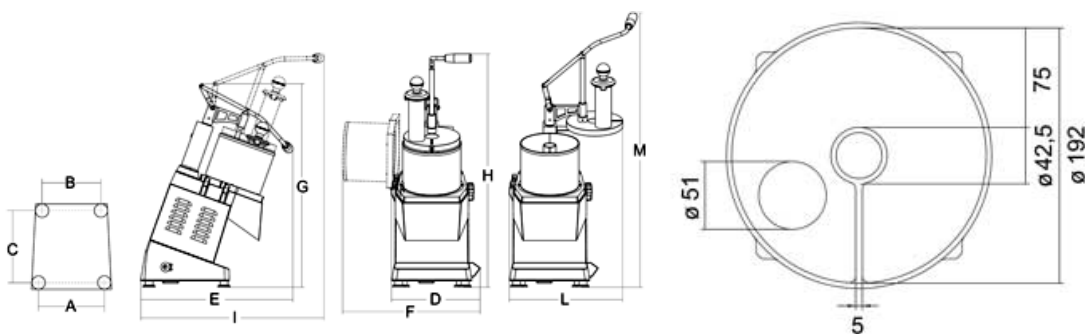


PS G



DT

Data sheet



Technical data

Model	TM TG
Power	watt 515 - Hp 0,7
Power source	1ph/3ph
Disc revolutions	rpm 300
Feed hopper dimensions	mm h.150 x ø192
A	mm 225
B	mm 195
C	mm 255

D	mm 296
E	mm 509
F	mm 460
G	mm 676
H	mm 777
I	mm 612
L	mm 428
M	mm 915
Net weight	kg 24,5
Shipping	mm 720x350x800
Gross weight	kg 27
HS-CODE	84386000